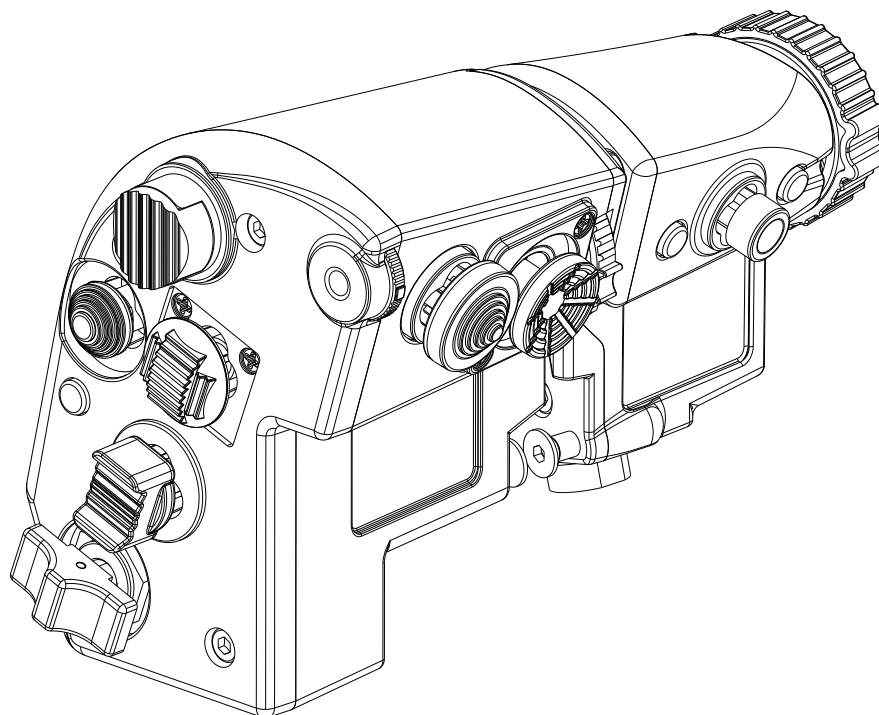


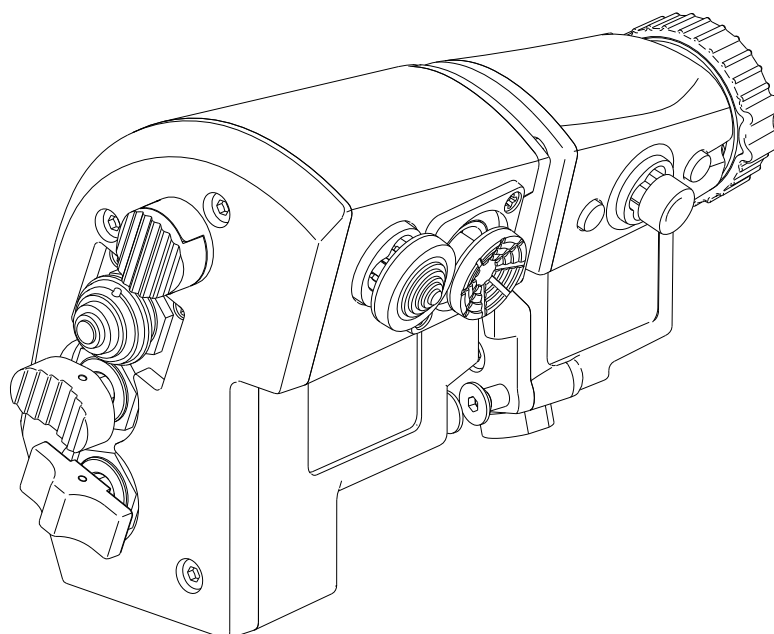
# THROTTLE GRIP OF 15EX H.O.T.A.S

# THROTTLE GRIP OF 15E H.O.T.A.S

## User Manual V1.1 2023.10



15EX



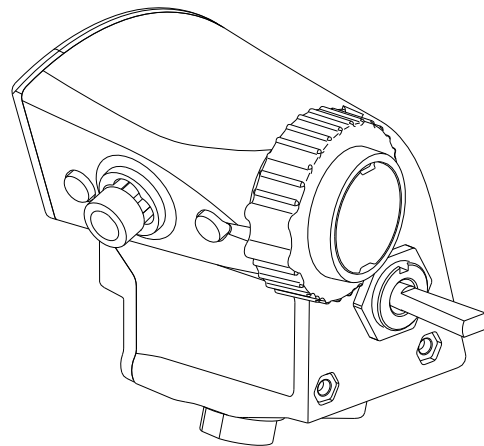
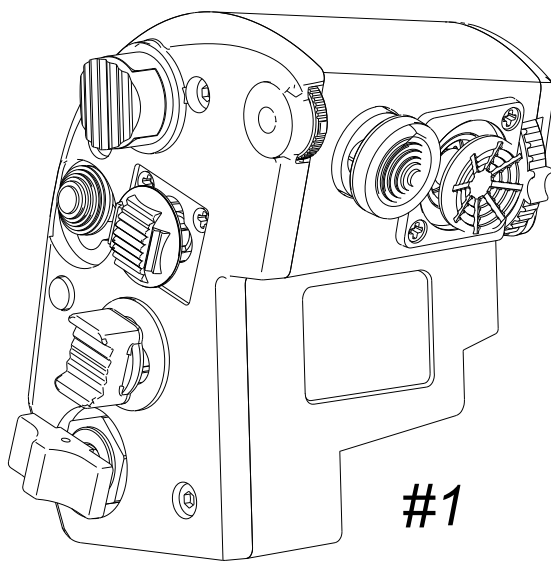
15E

# Content:

Packing List .....	1
1 Parameters .....	2
1.1 Performance .....	2
1.2 Compatibility .....	2
1.3 Dimensions .....	<u>2</u>
2 Functions .....	4
2.1 Key Mappings\Functionality .....	4
2.2 Adjustment Methods.....	7
3 Disassembling\Assembling Components.....	7
Bearing Replacement .....	7
4 Connector Installation .....	7
5 Base Installation .....	8
5.1 Throttle grip connection and installation method for T1 base. ....	8
5.2 Throttle grip connection and installation method for T2-2 base.....	12
5.3 Throttle grip connection and installation method for T2 and T3 base.....	15

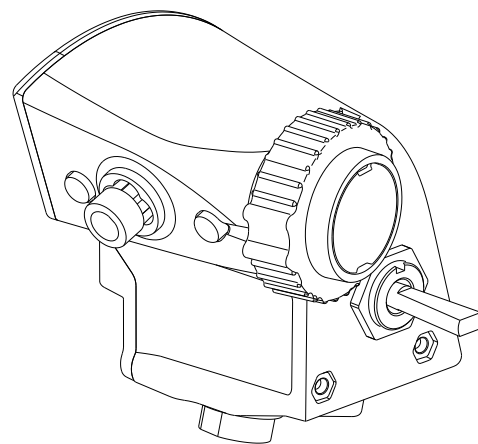
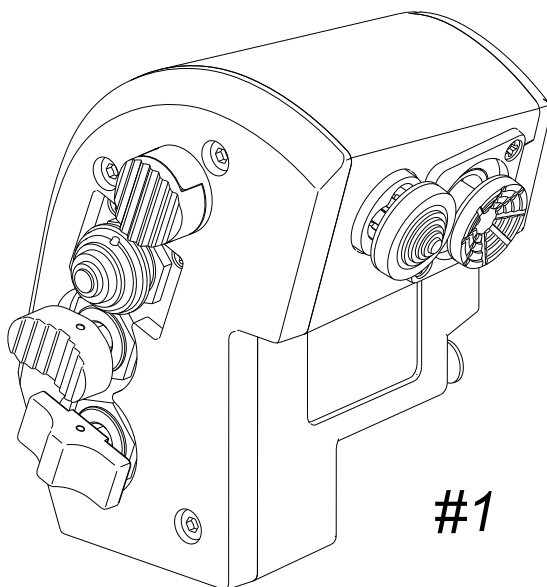
# Packing List

## THROTTLE GRIP OF 15EX H.O.T.A.S:



- |  |   |
|--|---|
| ① TGRIP-15EX-R (#1: Right throttle grip) | 1 |
| ② TGRIP-15EX-L (#2: Left throttle grip)  | 1 |
- 

## THROTTLE GRIP OF 15E H.O.T.A.S:



- |   |   |
|---|---|
| ① TGRIP-15E-R (#1: Right throttle grip) | 1 |
| ② TGRIP-15EX-L (#2: Left throttle grip) | 1 |

## Parameters

### 1.1 Performance

When connected to the T1 base: The total range of motion for the grip is 242mm (with a throttle cut-off zone travel of 30mm, working zone travel of 145mm, and afterburner zone travel of 67mm).

When connected to the T2, T2-2, or T3 base: The total range of motion is 80° (with a throttle cut-off zone angle of 15° , working zone angle of 50° , and afterburner zone angle of 15° ).

### 1.2 Compatibility

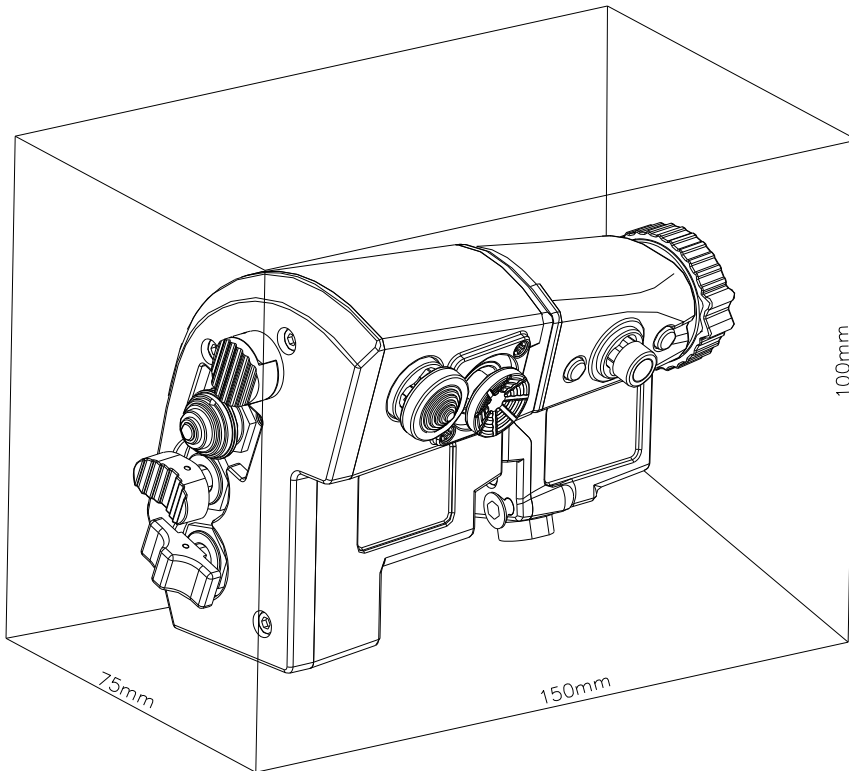
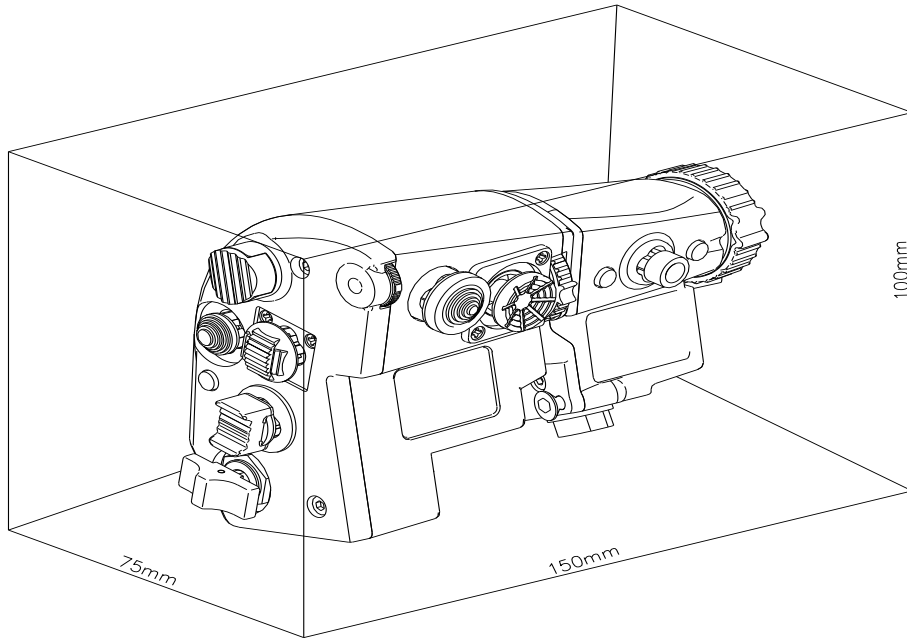
- ① Can be installed on the T1 (Super Taurus) throttle base.
- ② Can be installed on the T2 (Orion 1) Throttle Base using Dual Throttle Connector or Finger Lift.
- ③ Can be installed on the T3 (Gemini) Throttle Base using Dual Throttle Connector or Finger Lift.
- ④ Can be installed on the T2-2 (Orion 2) Throttle Base using Dual Throttle Connector or Finger Lift.

### 1.3 Dimensions

The dimensions of the product are:

150mm\*100mm\*75mm;

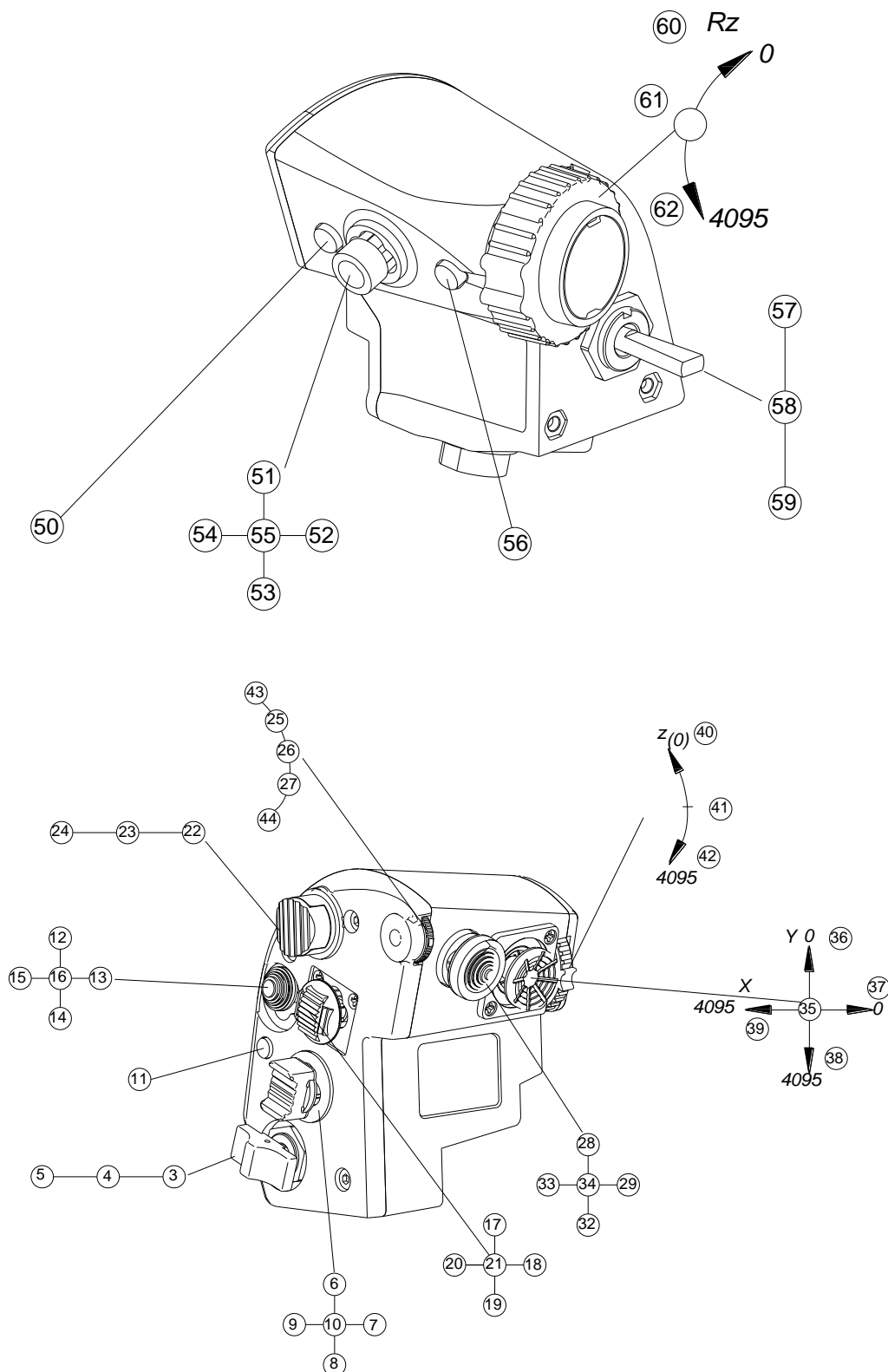
Weight: 0.94KG = 2.07LB

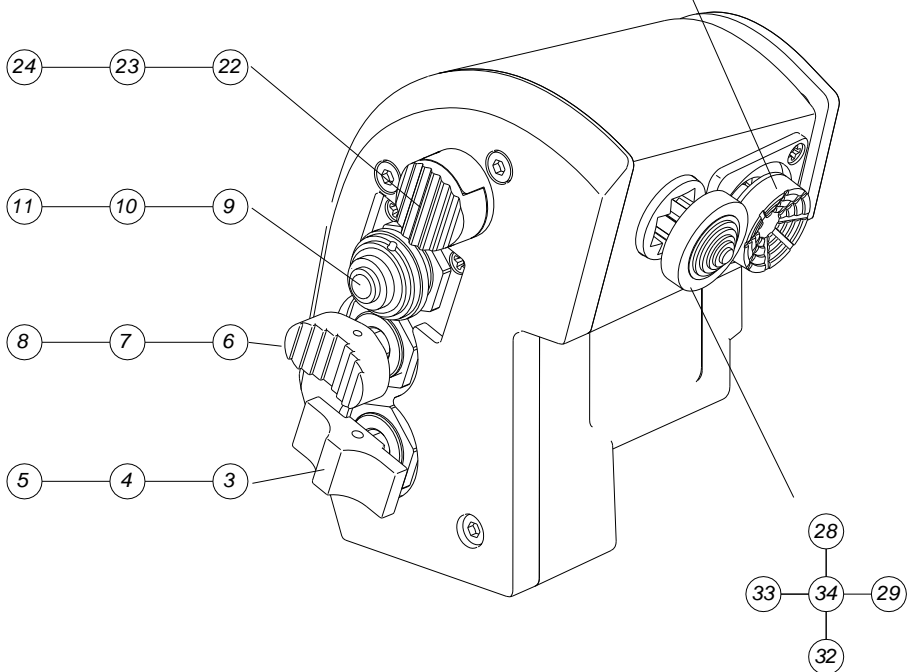
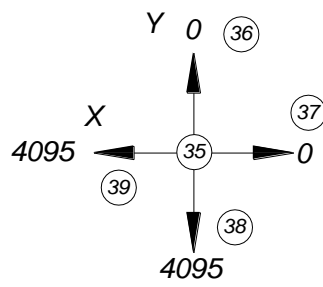
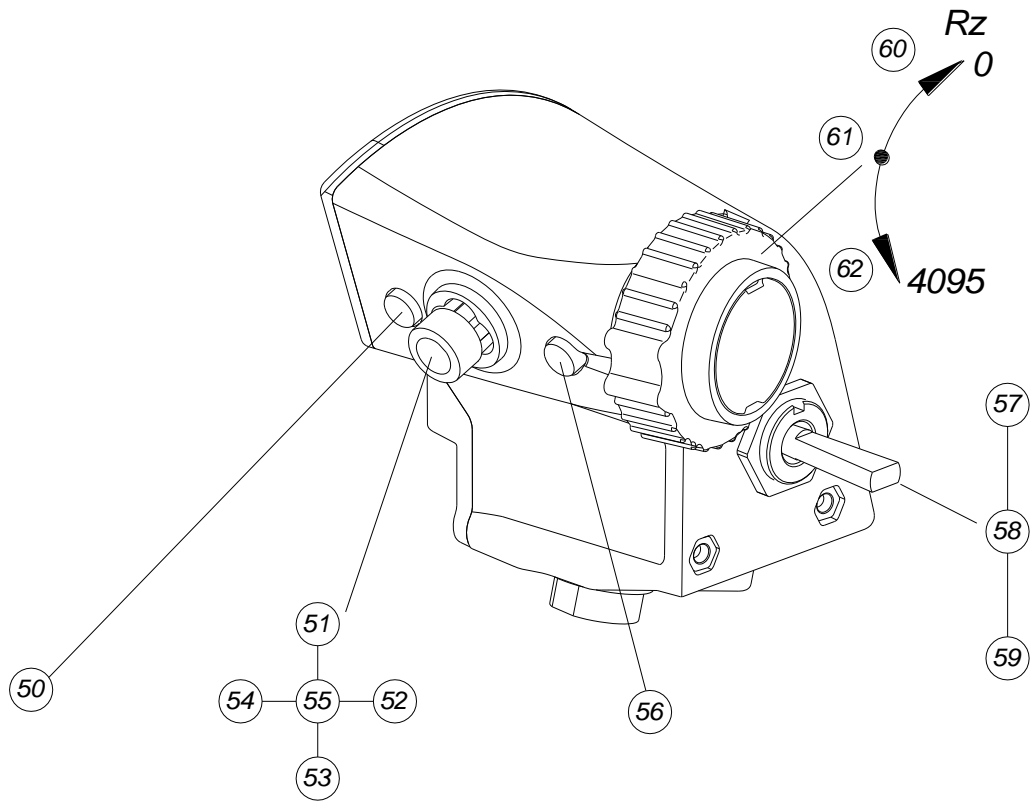


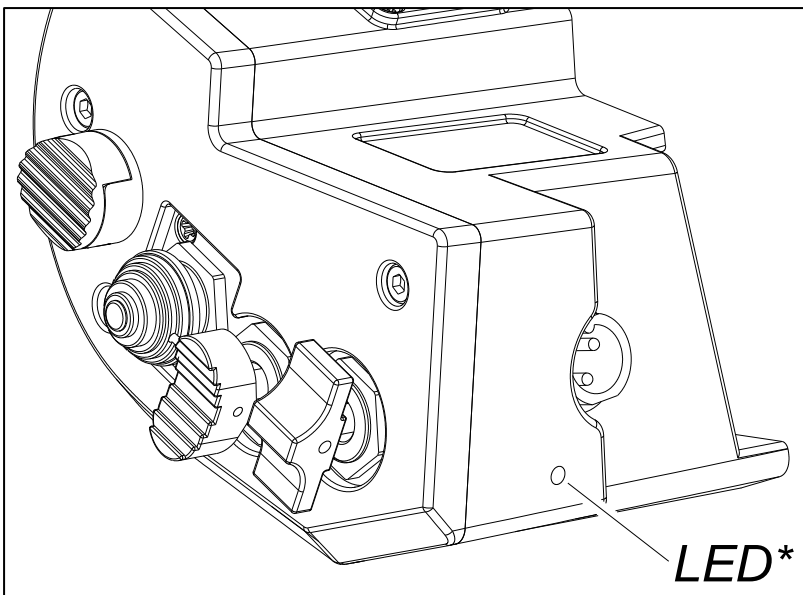
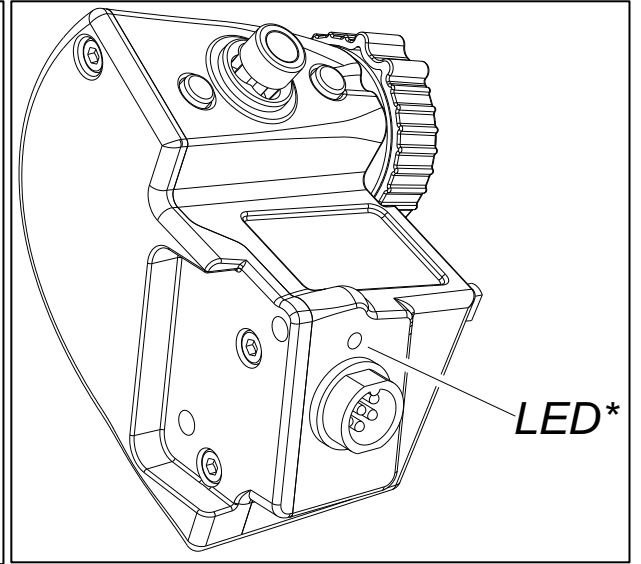
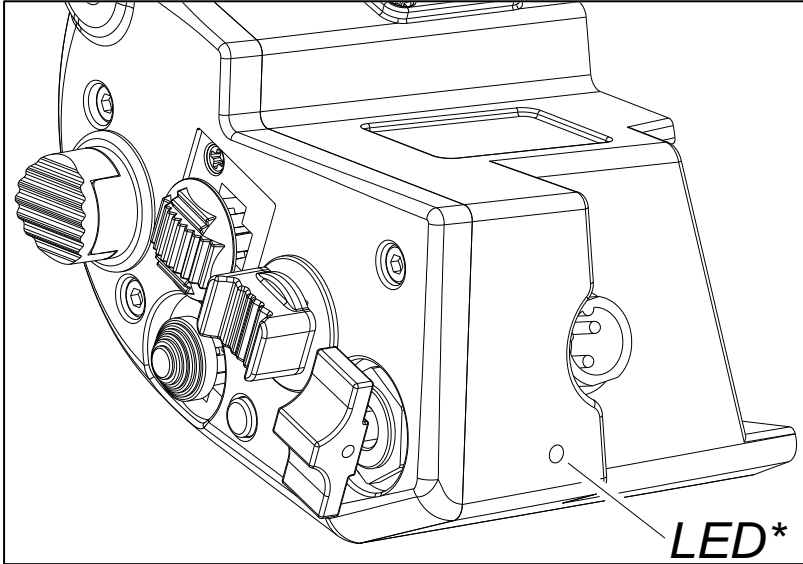
## 2 Functions

### 2.1 Key Mappings\Functionality

When connected to T1, T2, and T3, the following key bindings are non-functional: 50, 51, 52, 53, 54, 56. Additionally, the left throttle grip lacks vibration functionality.







\* LED status:

Fast flashing in red (0.1s interval) - BOOT mode

Slow flashing in red (1s interval) - Operational mode



## 2.2 Adjustment Methods

/

## 3 Disassembling\Assembling Components

/

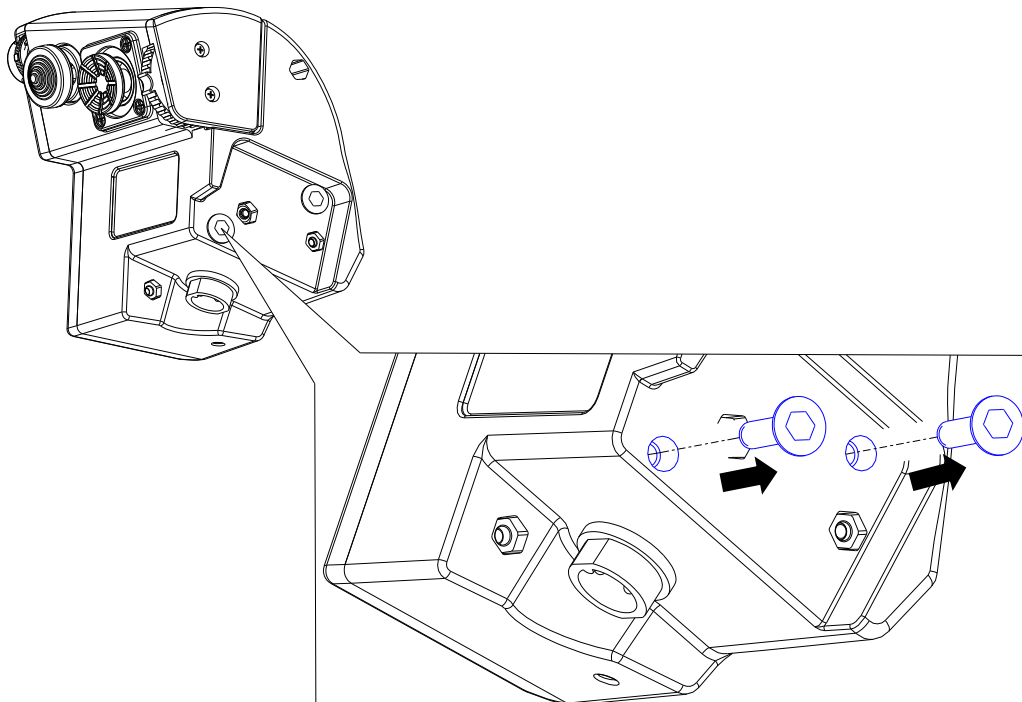
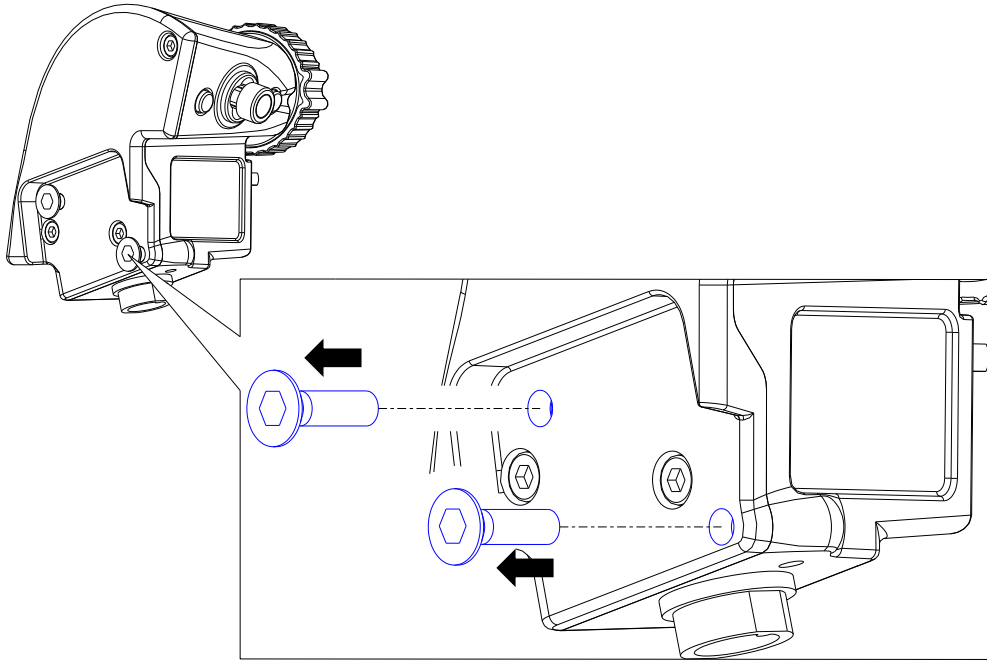
## 4 Connector Installation

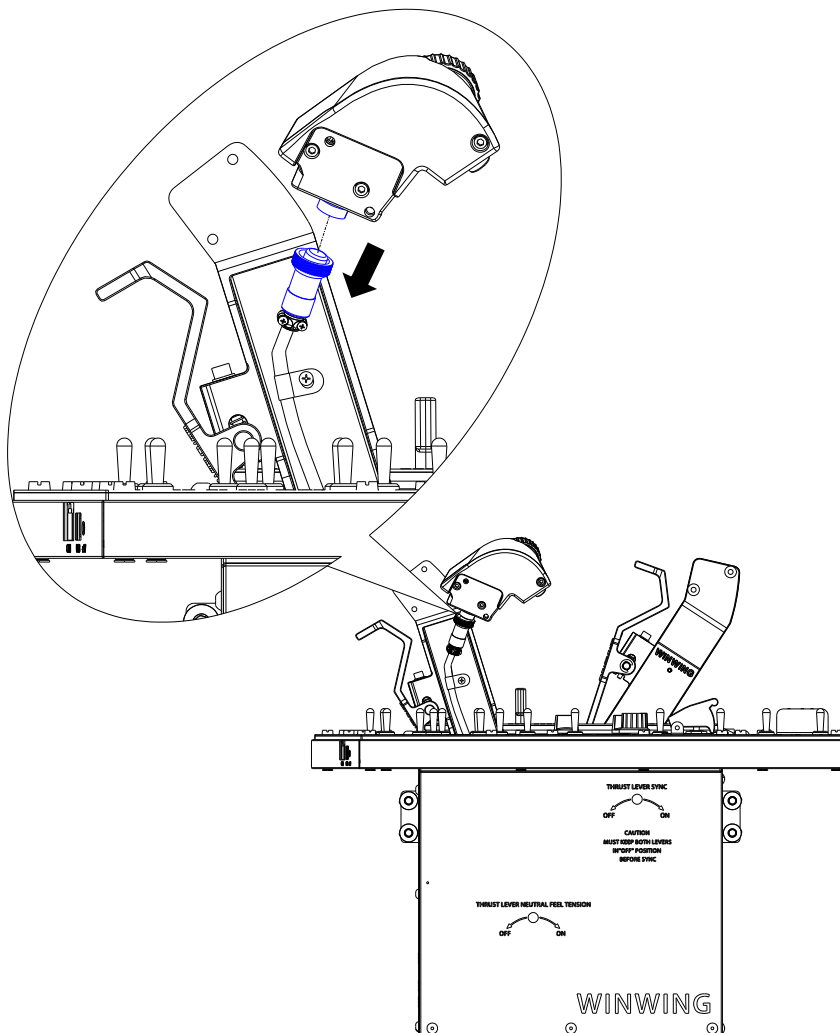
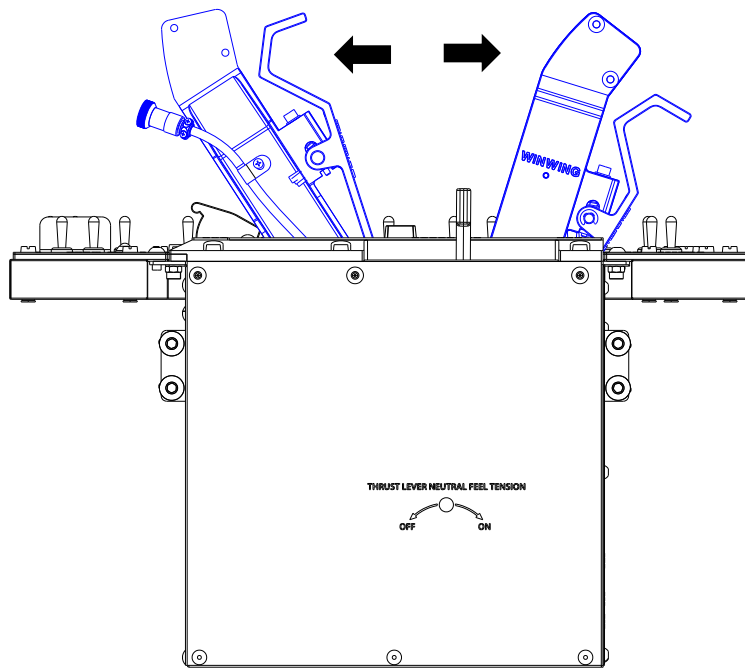
/

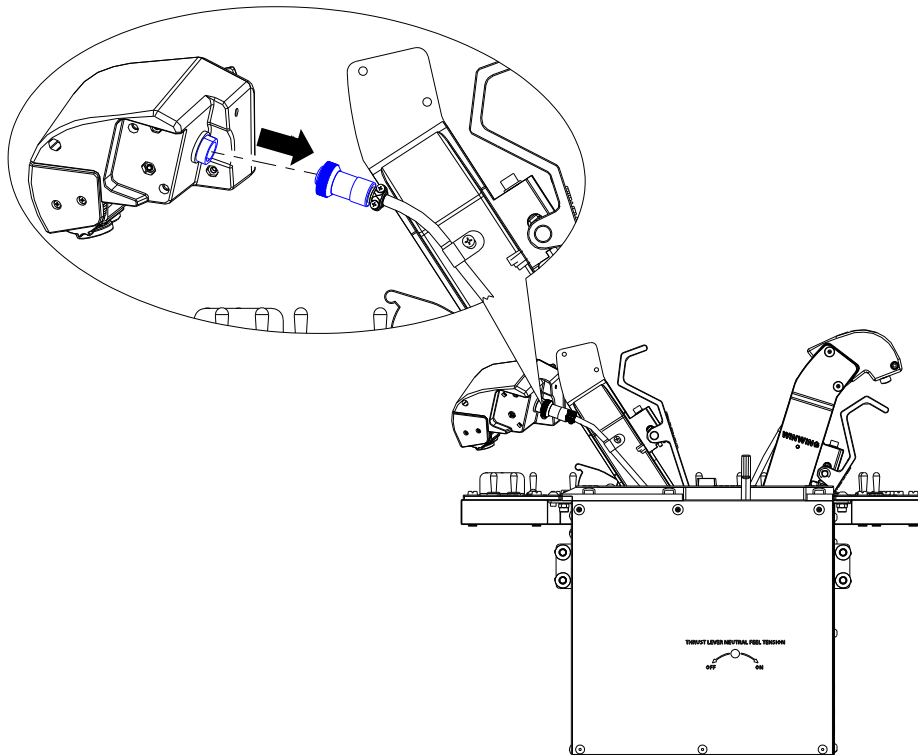
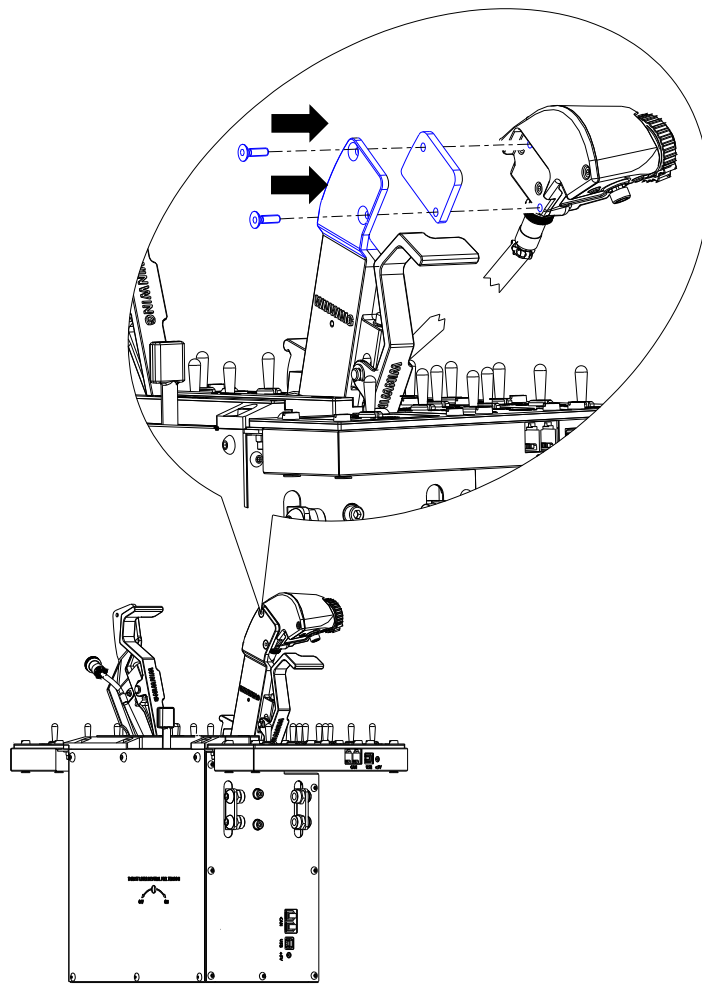
## 5 Base Installation

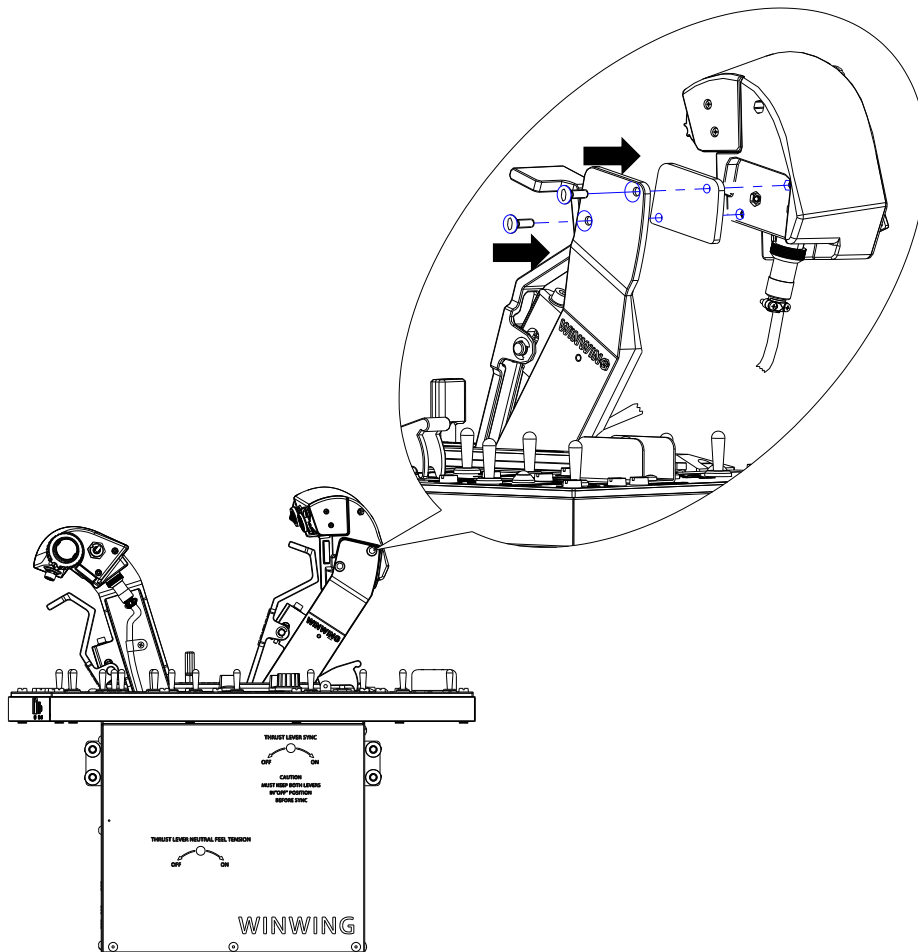
This manual takes the THROTTLE GRIP OF 15EX H.O.T.A.S as an example. The installation method for the 15E is identical to it.

### 5.1 Throttle grip connection and installation method for T1 base





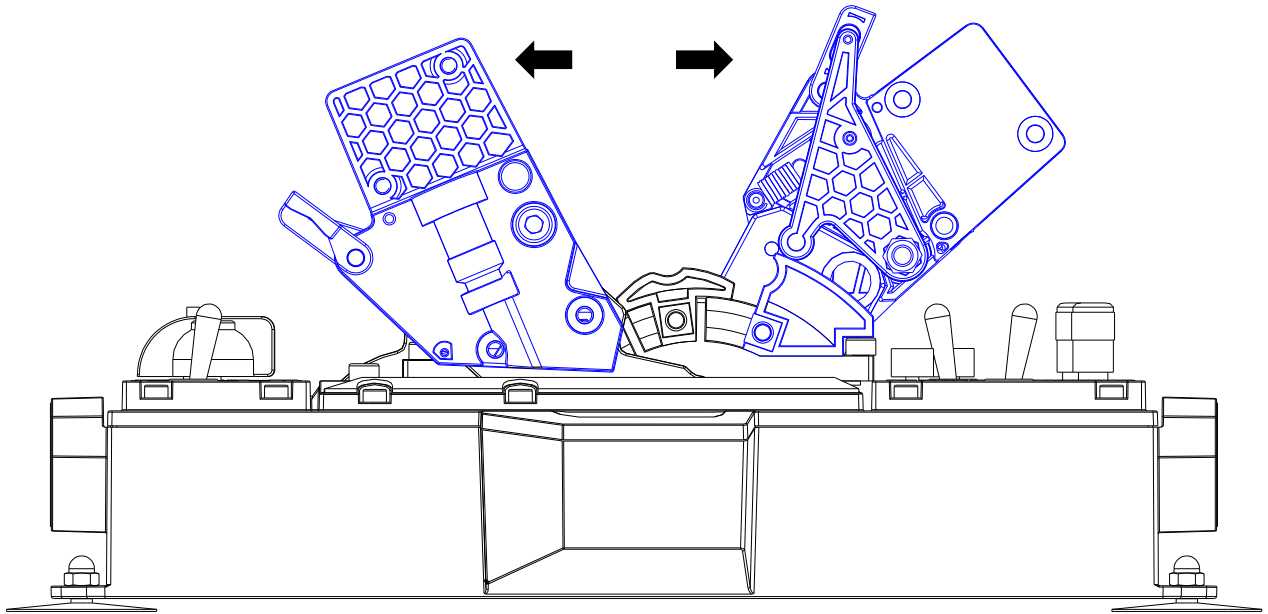


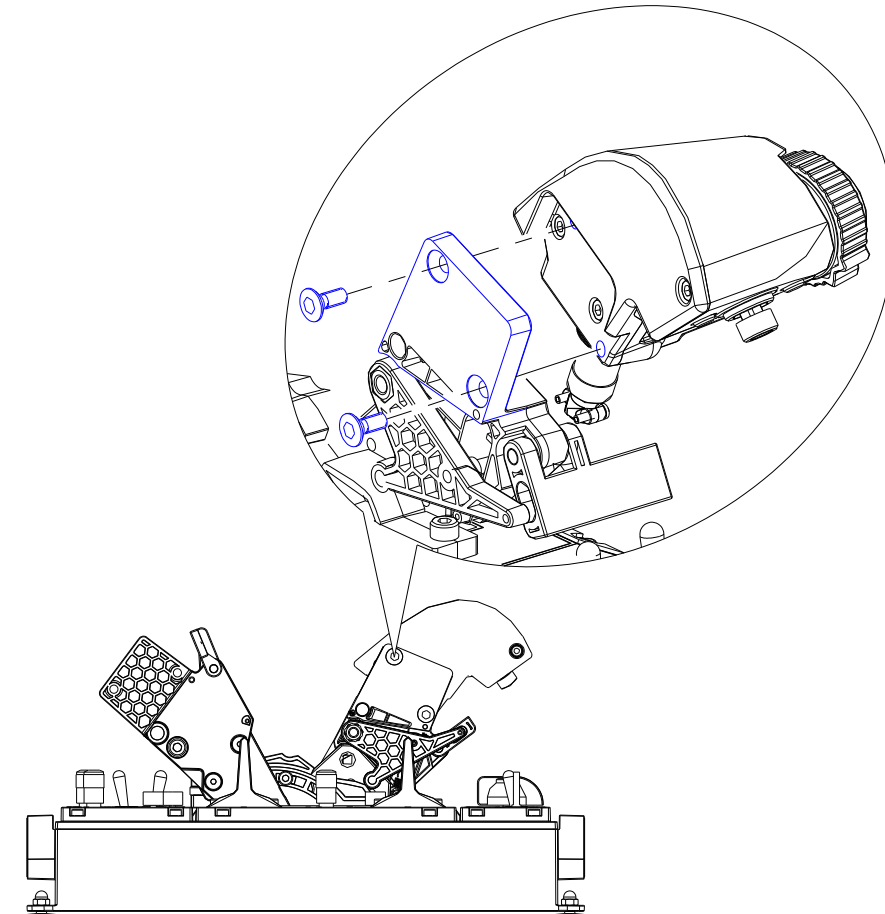
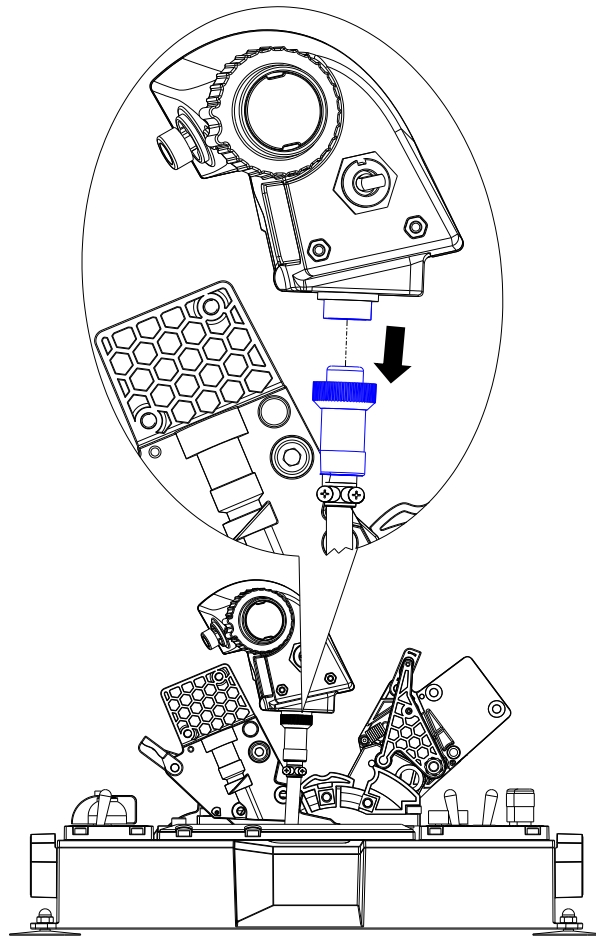


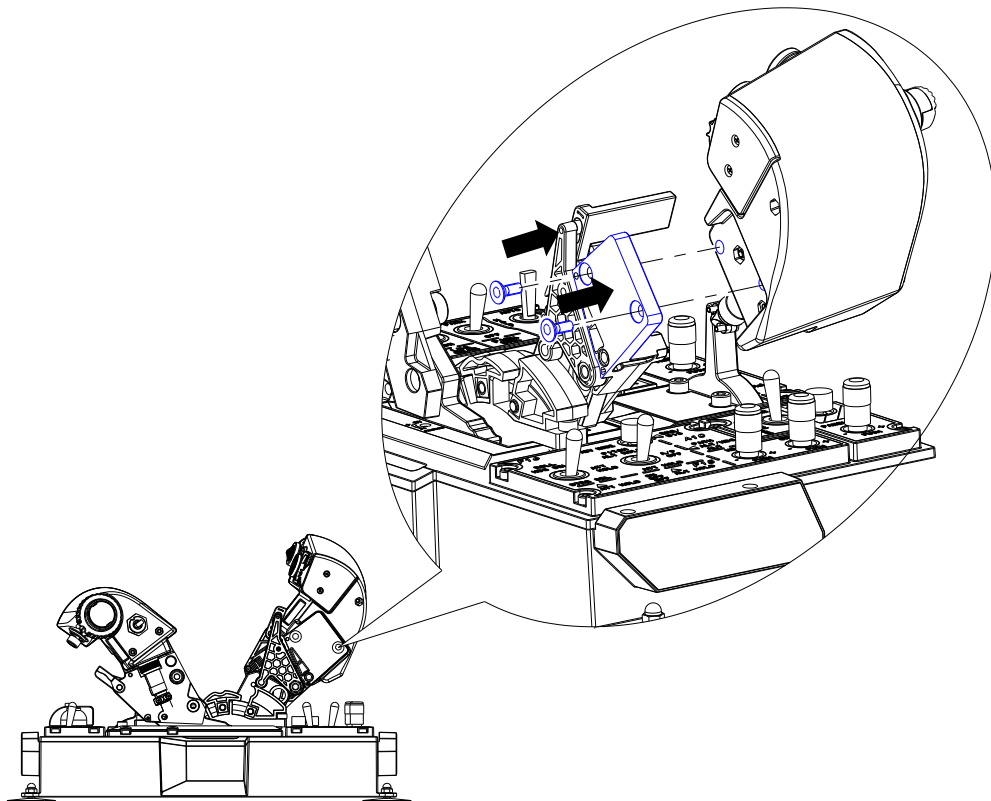
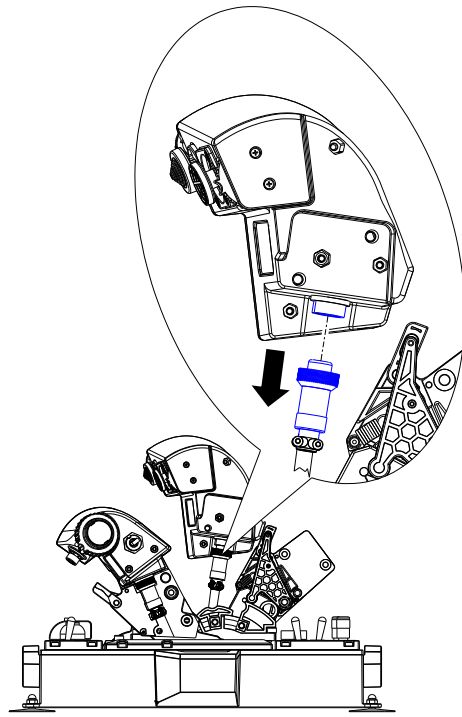
- ① Remove the screws from the throttle grip (#1, #2).
- ② Push the left grip of the T1 base forward and the right grip backward to their respective maximum positions.
- ③ Connect the left throttle grip (#2) with the aviation cable on the left side of the base. Use two screws (provided with the throttle grip) to secure the left throttle grip and spacer block (provided with T1) onto the left side of the base.
- ④ Connect the right throttle grip (#1) with the aviation cable on the right side of the base. Use two screws (provided with the throttle grip) to secure the right throttle grip and spacer block (provided with T1) onto the right side of the base.

## 5.2 Throttle grip connection and installation method for T2-2 base

\*Need to purchase the Dual Throttle Connector or Finger Lift









- ① Refer to the "Finger Lift Kit for Orion2 Orion1 Gemini-User Manual" for installation instructions on how to attach the Finger Lift to the base.
- ② Push the left side handle of the T2-2 throttle base all the way forward, and push the right side handle all the way back.
- ③ Connect the left throttle grip (#2) to the left aviation cable on the base. Use two screws (provided with throttle grip) to securely fasten it onto the left side handle of the base.
- ④ Connect the right throttle grip (#1) to the right side aviation cable on the base. Secure the right throttle grip to the right side handle on the base using two screws (provided with the throttle grip).

## 5.3 Throttle grip connection and installation method for T2 and T3 base

Need to purchase the Dual Throttle Connector or Finger Lift

Same as described in section 5.2 of this manual.

\* This is the final version of the manual,all update will be made online.

**成都翼胜科技有限责任公司**

[WWW.WINWING.CN](http://WWW.WINWING.CN)

[INFO@WINWING.CN](mailto:INFO@WINWING.CN)

High-tech International Enterprise Zone No.19 Building,Changshengqiao Road  
1111#, Pidu District, Chengdu,China 610000.